



**GCS MONTHLY  
NEWSLETTER**

**JAN 2025**

# CONGRATULATIONS!

## TO ALL OF OUR 2025 APPRENTICES

OUR SECOND YEAR APPRENTICES HAVE WORKED HARD OVER THE PAST YEAR TO GAIN NEW SKILLS THROUGH A MIX OF TAFE PROGRAMS, WORKSHOP PROJECTS AND SITE VISITS



**CALLUM**

**KAL - 2ND YEAR**



**ASTRAL**

**KAL - 2ND YEAR**



**ZAFFAR**

**PER - 2ND YEAR**

**WHEN ASKED ABOUT THEIR FAVOURITE EXPERIENCES, OUR APPRENTICES DISCUSSED THEIR TIME ON-SITE LAYING CABLES UNDERGROUND AND REPAIRING SATELLITES; AS WELL AS THEIR TIME IN THE WORKSHOP BUILDING DC BOOSTERS AND INSTALLING DASH CAMERAS.**

**THROUGH OUR GUIDANCE OUR APPRENTICES HAVE GAINED A RANGE OF CERTIFICATIONS INCLUDING WORKING AT HEIGHTS, FIRE WARDEN AND FIRST AID. THEY HAVE ALSO GAINED LICENCES TO OPERATE ELEVATED WORK PLATFORMS AND IT VEHICLES**

**WE HOPE TO OFFER OUR NEW APPRENTICES THESE AMAZING OPPORTUNITIES AS THEY COMPLETE THEIR FIRST YEAR IN 2025**

**TO APPLY FOR OUR MID-YEAR APPRENTICESHIP OPPORTUNITIES, CONTACT OUR ONBOARDING TEAM  
[HUMRES@HAHNELEC.COM.AU](mailto:HUMRES@HAHNELEC.COM.AU) | 08 9232 3000**

# PARTNER SPOTLIGHT



## DIGITAL DRIFT

POWER. CONNECTIVITY. SIMPLICITY

RFI recognises the importance of automating complex industrial networks, such as those in mining, to enhance safety and boost productivity. Reliable voice radio and data networks play a vital role in seamlessly connecting every corner of an industrial environment.

RFI's team of experts, in radio and wireless data networks, have developed a range of products that provide high-speed, specialised network solutions. These solutions deliver data and power to the most challenging industrial areas using a single coaxial cable. They can also support voice communication and Wi-Fi/LTE services.

RFI's Digital Drift devices are designed to work with industry-standard equipment, offering flexibility in device choices.

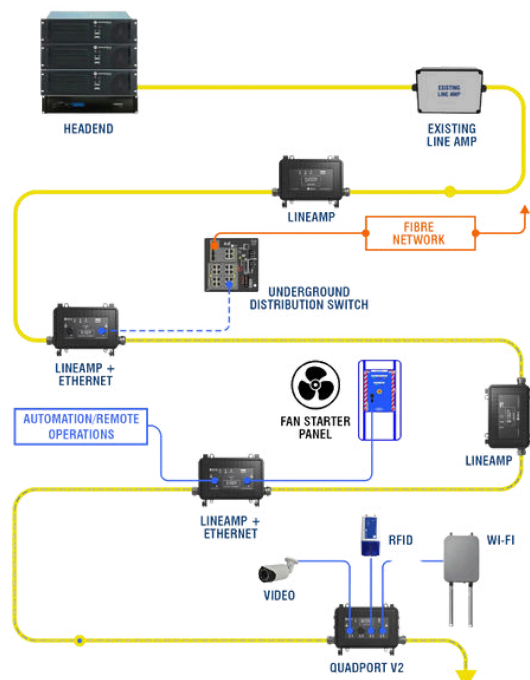
Talk to our team to discover how digital drift can enhance your capabilities.

[FIND OUT MORE](#)

## HOW IT WORKS

Combining data and power, digital drift eliminates the need for separate power distribution. This allows PoE+ outlets to be tapped off the cable wherever required, and costs to be reduced through consolidating power centres (DC UPs) every 1-2kms.

Any Ethernet device can be integrated, adhering to corporate networking standards without being tied to a particular vendor. This allows you to integrate your existing distribution networks, whilst enabling the freedom to choose any endpoint device.





# NEW YEAR NEW GEAR CHECK OUT THESE AMAZING DEALS

## GME

### MT610G

**\$1545**

## MOTOROLA R7 PREMIUM

#### SPECIFICATIONS:

- 2.4 IN. 320 X 240 PX. QVGA DISPLAY
- ADAPTIVE DUAL MICROPHONE NOISE SUPPRESSION
- AUTOMATIC ACOUSTIC FEEDBACK SUPPRESSION
- SLEEK AND COMPACT FORM
- IP68 WATER IMMERSION CERTIFIED
- COMPATIBLE INTEGRATION WITH VB400 BODY-WORN CAMERAS TO ENHANCE YOUR SECURITY AND EMERGENCY RESPONSE TEAMS

[INFO SHEET](#)



#### SPECIFICATIONS:

- 72 CHANNEL GPS RECEIVER
- ZERO WARM-UP TIME
- HIGH-INTENSITY LEDS
- BUOYANT DESIGN

**\$380**



[INFO SHEET](#)

## RFI CEL-FI ROAM BLACKHAWK PACK

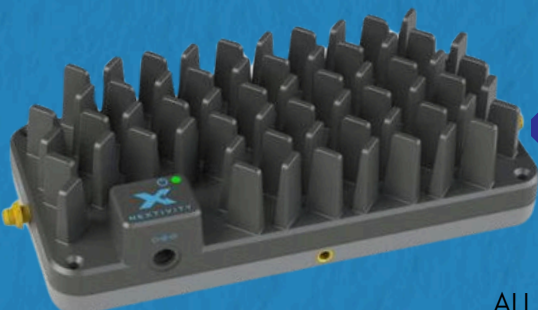
**\$1400**

#### CONTAINS:

- CEL-FI ROAM R41
- DC Cigarette Lighter Power Lead
- T5-4M-SMA internal Antenna
- External Blackhawk Antenna

**CONNECTS TO  
3G, 4G & 5G**

[INFO SHEET](#)



ALL PRICES ARE GST EXCLUSIVE

# TEST YOUR KNOWLEDGE

Motorola Solutions released the first handheld cell-phone, the DynaTAC. In which year did this hit commercial markets?

1895

1923

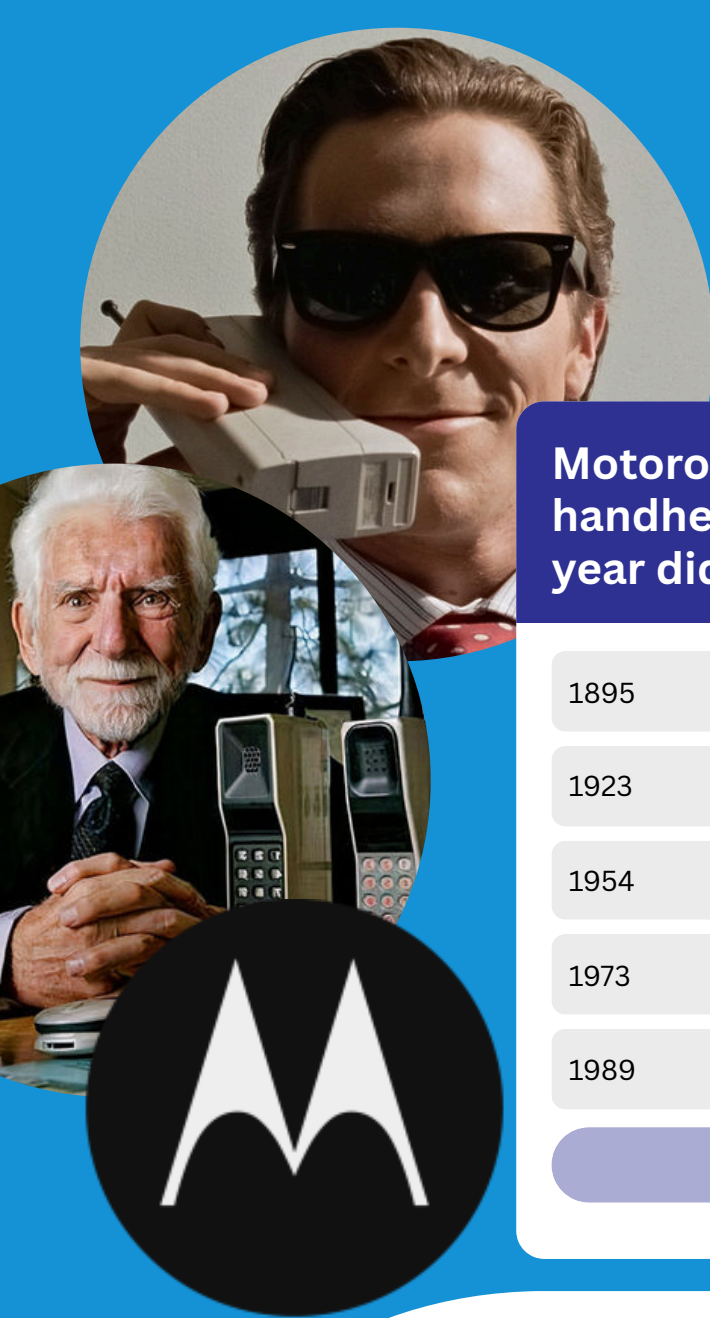
1954

1973

1989

Submit

● Loading...



CHECK OUT OUR WEBSITE



**FOR ALL ENQUIRIES TALK TO OUR FRIENDLY TEAM AT YOUR LOCAL GCS STORE**

**OPEN: MON-FRI  
7:30 AM - 4:30 PM  
39 GREAT EASTERN HWY  
WEST KALGOORLIE WA 6430**

**OR CONTACT US ON  
08 9026 3555**